

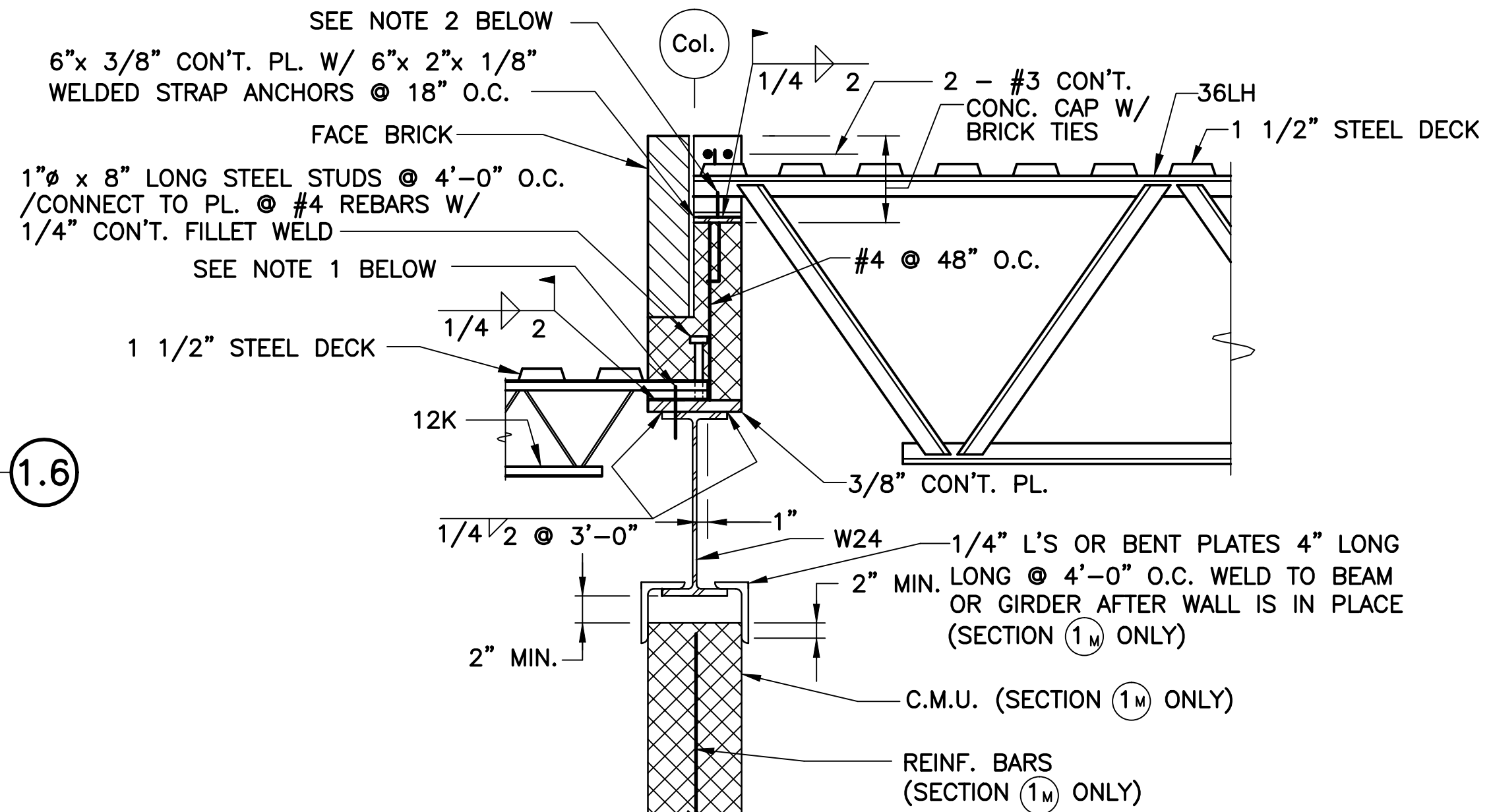
ROOF FRAMING PLAN
SCALE: 3/8" = 1'-0"

STRUCTURAL STEEL NOTES:

1. TOP OF STEEL ELEVATION 118'-10 1/2" UNLESS NOTED OTHERWISE (+2'-3 1/2") OR (-2'-3 1/2").
2. * INDICATES MOMENT CONNECTION.
3. BEAMS AND BAR JOISTS ARE EQUALLY SPACED BETWEEN COLUMN LINES UNLESS NOTED OTHERWISE.
4. DO INDICATES THAT ALL CONDITIONS FOR THAT PARTICULAR MEMBER ARE IDENTICAL TO THOSE SPECIFIED ON ADJACENT MEMBER.
5. TOP OF STEEL NOTED THUS [W14X34] EQUAL TO TOP OF PARALLEL BAR JOIST IN ADJACENT BAY.
6. STEEL NOTED THUS [[W14X34]] - STRONG AXIS (X-X) SHALL BE ORIENTED VERTICALLY.
7. BEAMS NOTES THUS W24X131 (95 KIPS) - 95 KIPS INDICATES CONNECTION CAPACITY.

NOTES:

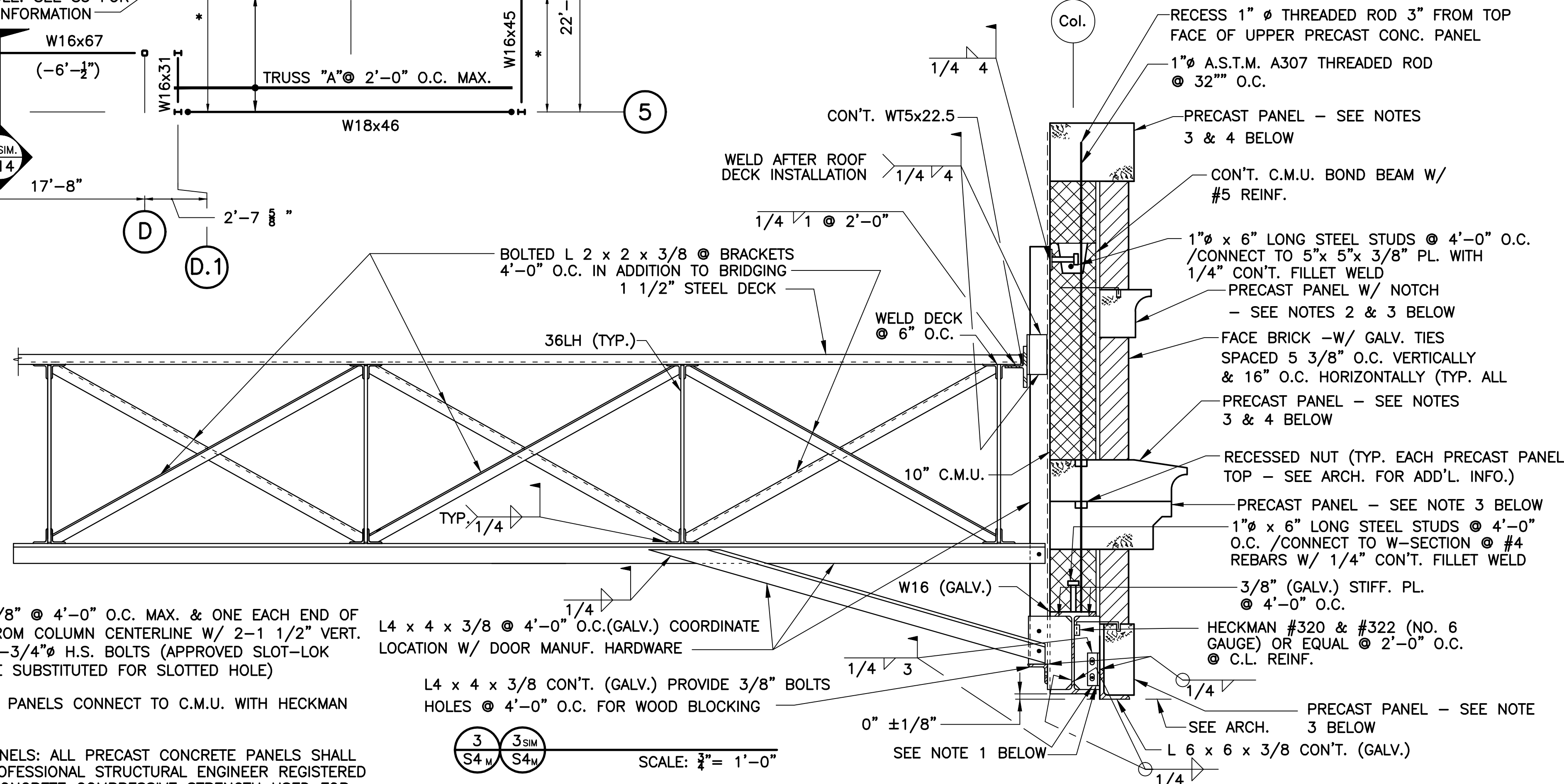
1. L 3 1/2" x 3 1/2" x 3/8" @ 4'-0" O.C. MAX. & ONE EACH END OF W16 SECTION 1'-6" FROM COLUMN CENTERLINE W/ 2-1 1/2" VERT. SLOTTED HOLES FOR 2-3/4" H.S. BOLTS (APPROVED SLOT-LOK TYPE ANCHORS MAY BE SUBSTITUTED FOR SLOTTED HOLE)
2. ALL NOTCHED PRECAST PANELS CONNECT TO C.M.U. WITH HECKMAN #270 @ 2'-0" O.C.
3. PRECAST CONCRETE PANELS: ALL PRECAST CONCRETE PANELS SHALL BE DESIGNED BY A PROFESSIONAL STRUCTURAL ENGINEER REGISTERED IN MASSACHUSETTS. CONCRETE COMPRESSIVE STRENGTH USED FOR PRECAST CONCRETE SHALL BE 5,000 PSI. SEE ARCH. DRAWINGS FOR LOCATION AND CONFIGURATION OF ALL PRECAST CONCRETE PANELS.
4. INSTALL 1" GALV. THREADED RODS THRU 1 1/4" HOLES IN WIDE PRECAST PANEL(S) WITH ONE RECESSED STEEL NUT & WASHER ALONG THE TOP HORIZONTAL FACE OF EACH PRECAST PANEL. GROUT ALL VERTICAL C.M.U. CORES SOLID ALONG ALL THREADED ROD LOCATIONS.
5. SEE ARCH. FOR LOCATION, SIZE AND CONFIGURATION OF ALL PRECAST CONCRETE PANELS.



1 2
S4M S4M SCALE: 3/8" = 1'-0"

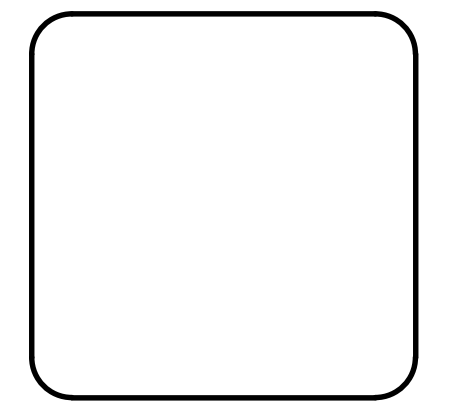
NOTES:

1. 1" x 9/16" SLOTTED HOLE ONLY THRU JOIST W/ 1/2" H.S. BOLT (1" SLOT PERPENDICULAR TO C.L. W-SEC.) TYPICAL E.S. OF JOIST
2. 1 1/2" x 13/16" SLOTTED HOLE ONLY THRU JOIST W/ 3/4" STUD WELDED TO PLATE (1 1/2" SLOT PERPENDICULAR TO C.L. W-SEC.) TYPICAL E.S. OF JOIST (CONNECT W/ NUT & WASHER)

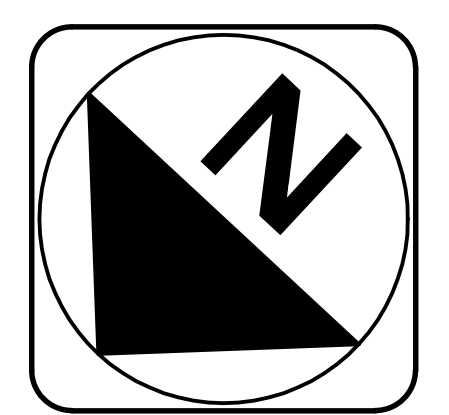


3 3
S4M S4M SCALE: 3/8" = 1'-0"

NO.	DATE	BY	REVISION DESCRIPTION



Proposed New Firehouse
North Main Street
Middleborough, MA
JDB Consulting Engineers
835 Samsot Rd., Eastham, MA 02642



ROOF FRAMING PLAN
DATE: 7/20/02
DRAWN BY: JDB
CHECKED BY: RFP
PROJ. NO. 02008

