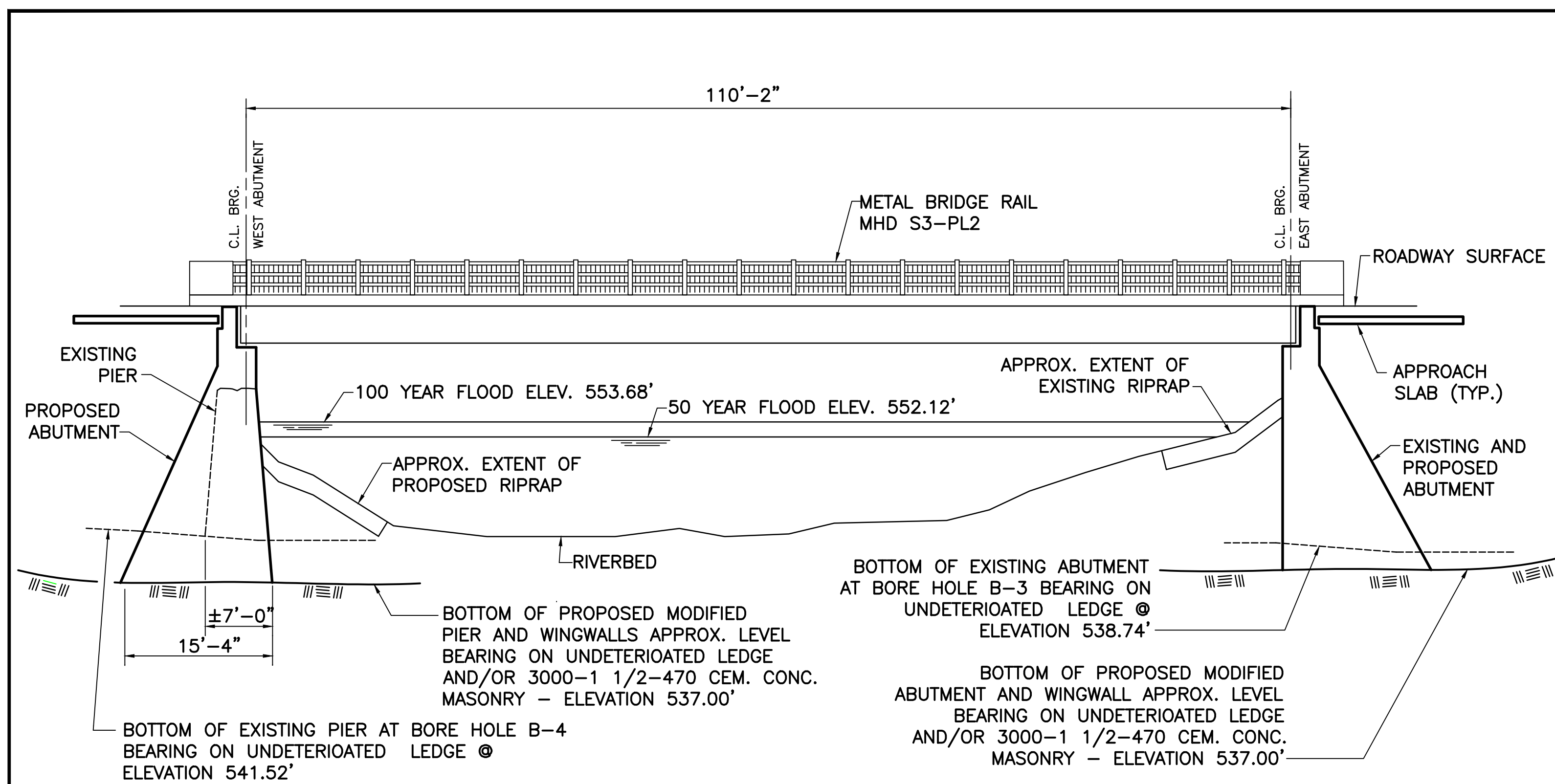
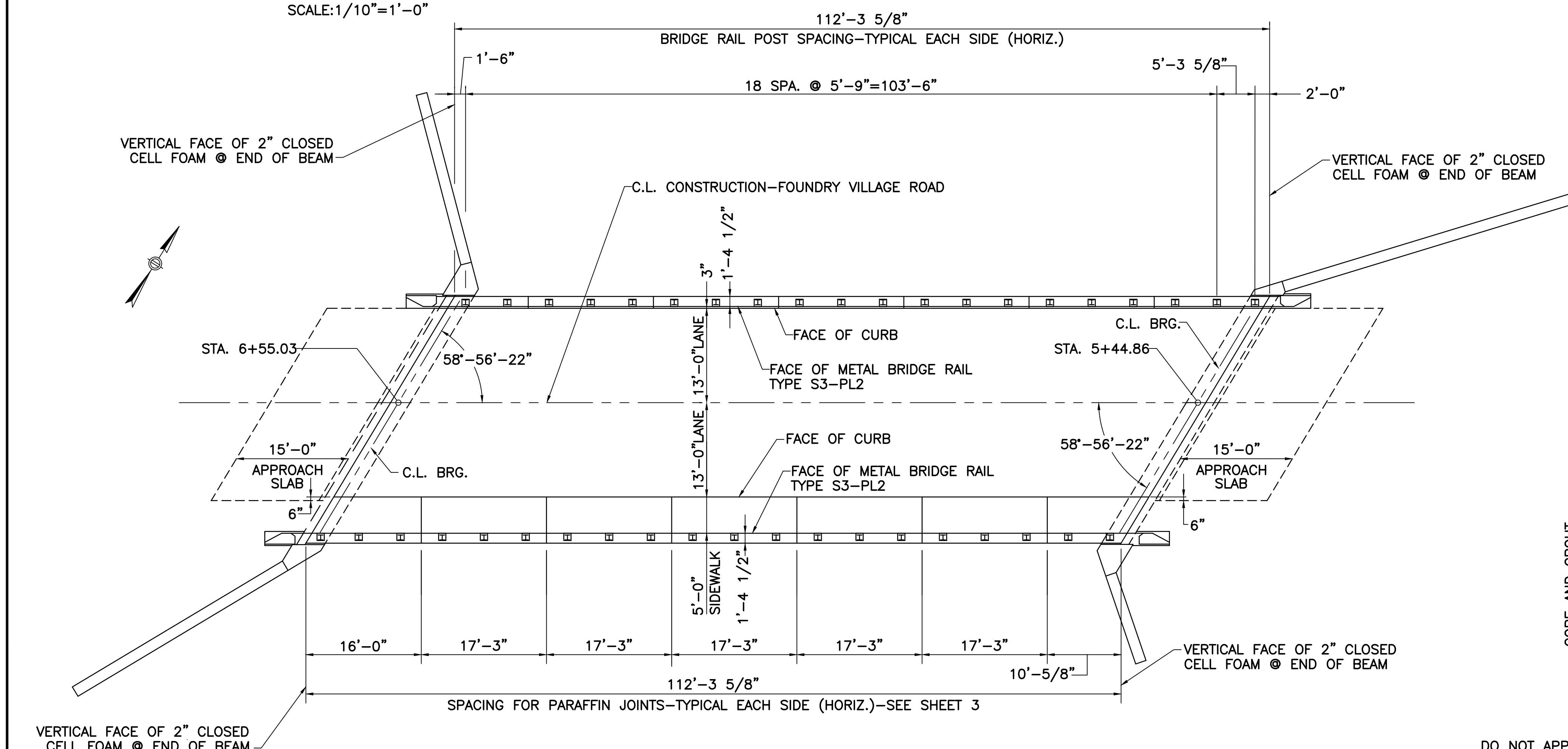


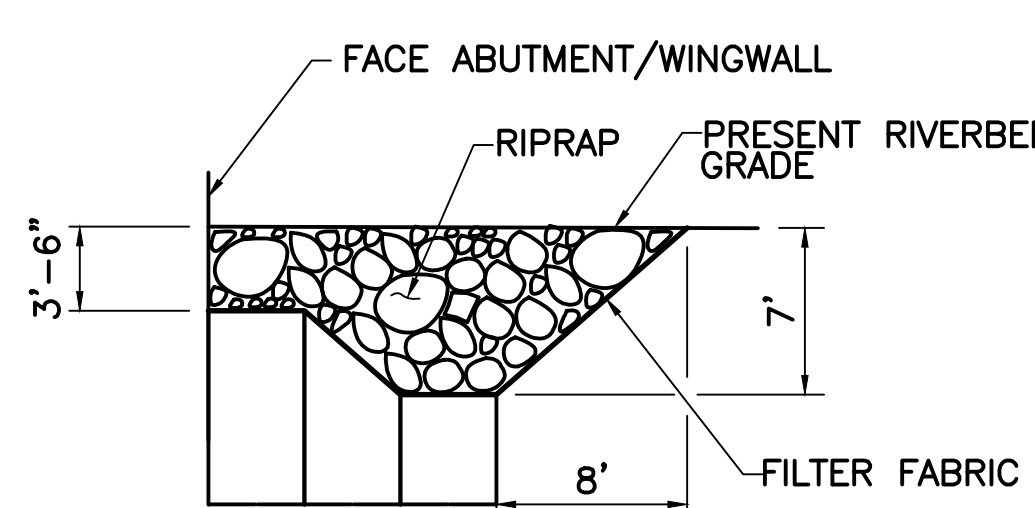
STATE	FED. AID PROJ. NO.	SHEET NO.	TOTAL SHEETS
MASS.	BRZ-005(474)	12	28
PROJECT FILE NO. 026660			



SQUARE LONGITUDINAL SECTION-SOUTH ELEVATION
SCALE: 1/10"=1'-0"



DECK PLAN OF BRIDGE
SCALE: 1/10"=1'-0"

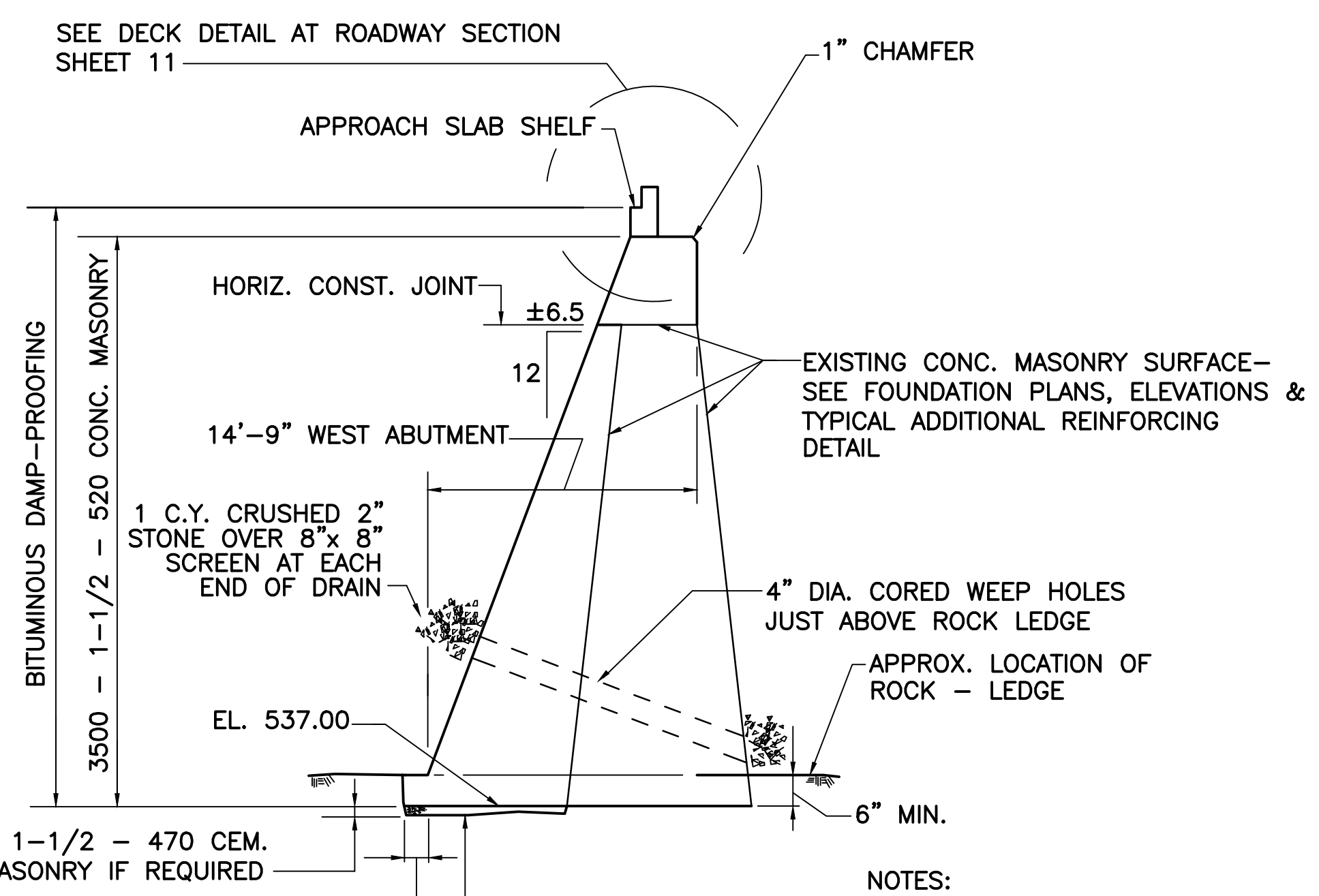


TYPICAL RIPRAP DETAIL
SCALE: 1/8"=1'-0"

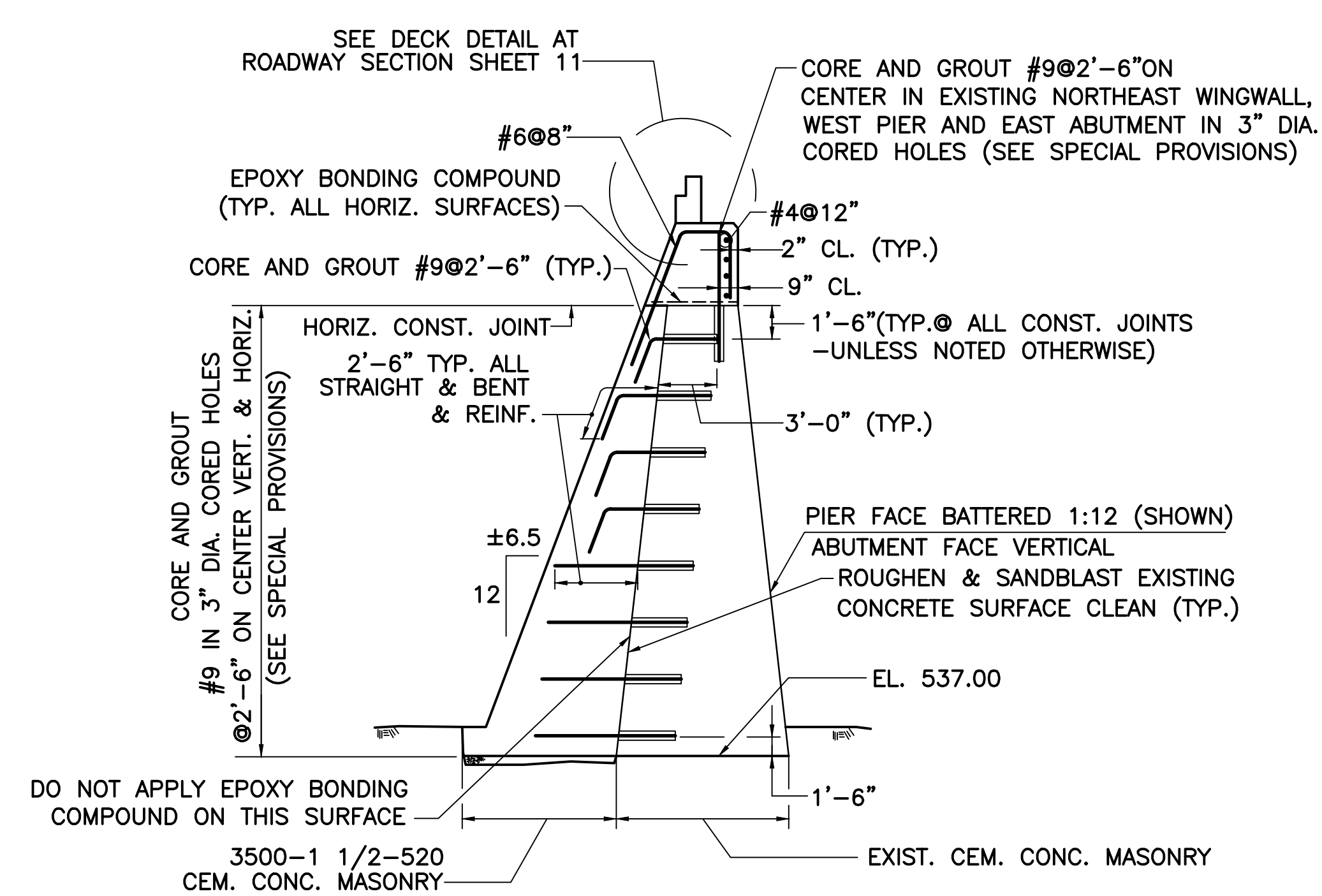
RIPRAP GRADATION	
STONE DIA. (INCHES)	PERCENT OF GRADATION SMALLER THAN
30-43	100 (D100)
24-28	85 (D85)
20-23	50 (D50)
8-12	15 (D15)

NOTES:

- SEE PLAN SHEET 1 FOR LIMITS OF PROPOSED RIPRAP.
- RIP RAP SHALL NOT PROJECT ABOVE THE EXISTING RIVER BED GRADES WITHIN THE RIVER CHANNEL.



MODIFIED WEST ABUTMENT SECTION
NO SCALE



TYPICAL ADDITIONAL REINFORCING DETAIL
NO SCALE

NOTE:
ALL #9 BARS SHALL BE 3'-0" CLEAR FROM EXIST. AND PROPOSED CONST. JOINTS.

AUG. 8, 1993	ACCEPTED FOR CONSTRUCTION
DATE	DESCRIPTION
USE ONLY PRINTS OF LATEST DATE	